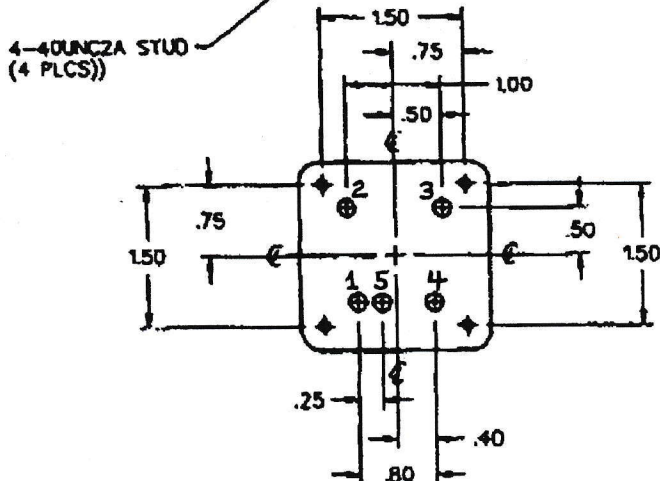
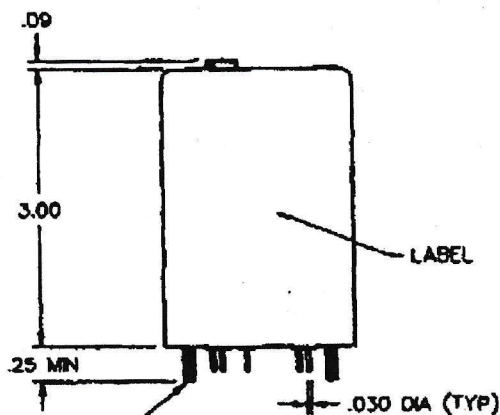
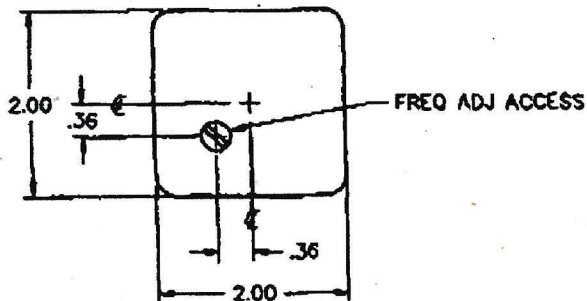


REVISIONS				
ZONE	LTR	DESCRIPTION	DATE	APPROVED
	A	PER ECN 10381	WP 8/26/97	9/5 MS



PIN #	FUNCTION
1	RF OUTPUT
2	B-
• 3	B- RETURN (0V)
4	CASE
• 5	RF RETURN

• INTERNALLY CONNECTED

NOTE:
 1. TOLERANCE ±.010 UNLESS OTHERWISE SPECIFIED.
 2. PIN NUMBERS ARE FOR REFERENCE ONLY. THEY DO NOT APPEAR ON UNIT.

UNLESS OTHERWISE SPECIFIED
 DIMENSIONS ARE IN INCHES
 TOLERANCES ON
 3 PLACE 3 PLACE ANGLES
 PRAC. DEC. DIM DEC. DIM
 5/104 5.020 5.005 5.30'

DO NOT SCALE DRAWING



VECTRON LABORATORIES INC.
 NORWALK, CT. 06850

MATERIAL:

DRAWING STARTED	DATE
S MARNO	2/21/85
DRAWN	DATE
W PARNELL	8/26/97
CHECKED	DATE
A AMATURO	2/21/85
DATE	DATE
S TULGAN	2/21/85

INSTALLATION
 CO 211 SERIES OSC

FINISH:

GENERIC CAD 6.1

SIZE	CODE IDENT NO.		
A	27802	211-191-006	A
SCALE 1/2		SHEET 1 OF 1	

74001 95505
 75168 99540
 76484
 77573
 79360
 81101
 81981

Aging: 5×10^{-10} /day
 Output: 1 Vrms ± 3 dB into 500Ω
 Temperature stability: $\pm 1 \times 10^{-8}$ over $0/50^\circ\text{C}$
 Phase noise: -125 dB/Hz at 100 Hz
 -135 dB/Hz at 1 kHz
 Supply: -12.4 Vdc
 Power: 6W at turn-on
 3W stabilized at 25°C
 Frequency adjust: range for 5 years; settable to 1×10^{-8}
 Size: 2" x 2" x 3" with four 4-40 studs, and pins on base
 Stud location: 0.75" from center-lines per Rockland Drawing
 173-6103, Rev. A
 Vectron Installation Drawing A211-191-006

POWER: DRAWS $\approx 0.4\text{A}$ AT TURN ON, DROPS TO
 $\approx 0.2\text{A}$ AFTER STABILIZING.

Bill of Material: A211-112-001 (Use 216-3293-1 Inst. & Outer Cover)
 Installation Drawing: A211-95-006- A211-191-006



FSCM

27802

SPECIFICATION CONTROL DWG NO

218-9474

1 OF 1
 TOTAL P.02